

PROJECT: _____	UNIT TAG: _____	QUANTITY: _____
REPRESENTATIVE: _____	TYPE OF SERVICE: _____	DATE: _____
ENGINEER: _____	SUBMITTED BY: _____	DATE: _____
CONTRACTOR: _____	APPROVED BY: _____	DATE: _____
	ORDER NO.: _____	DATE: _____

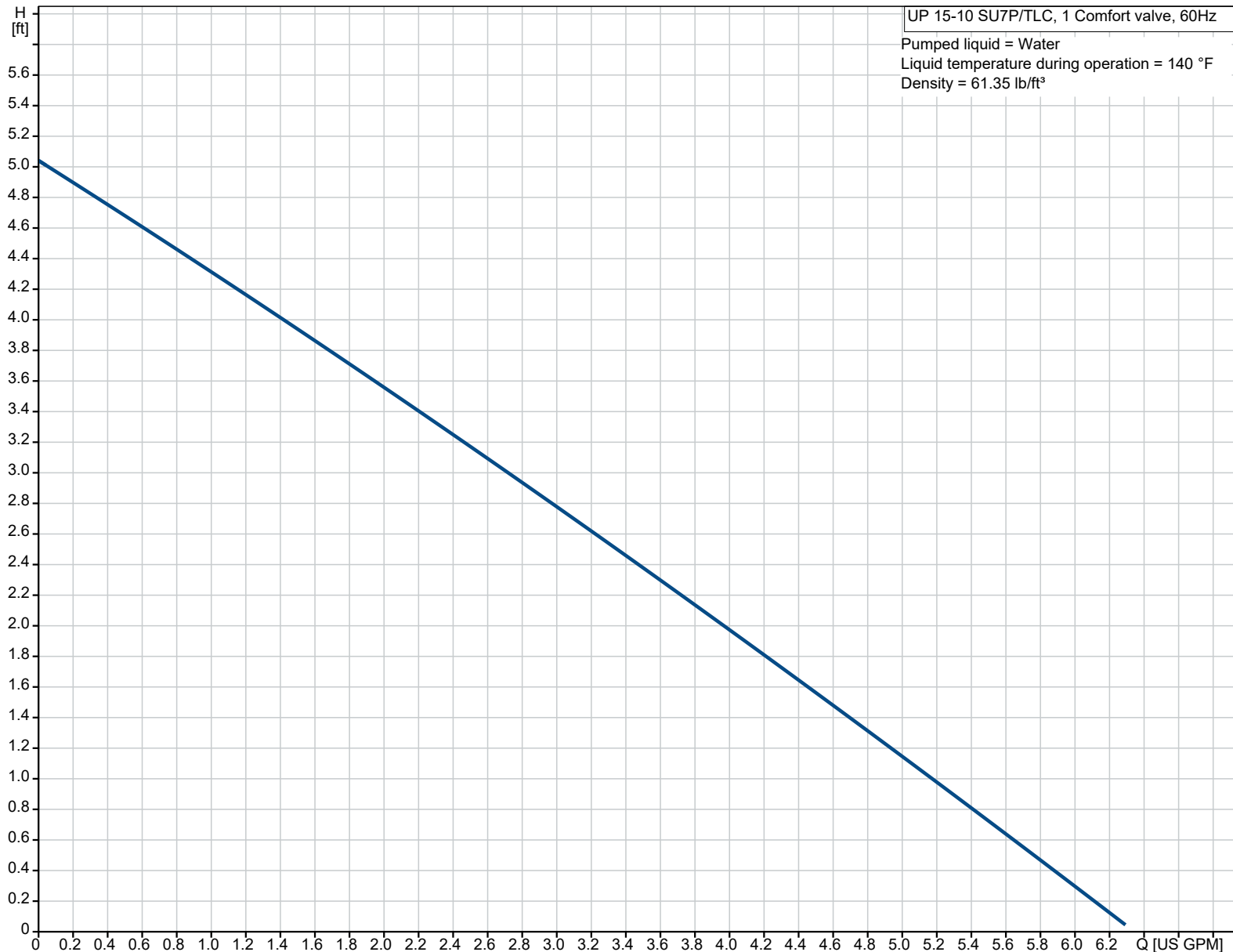
UP 15-10 SU7P/TLC, 1 Comfort valve

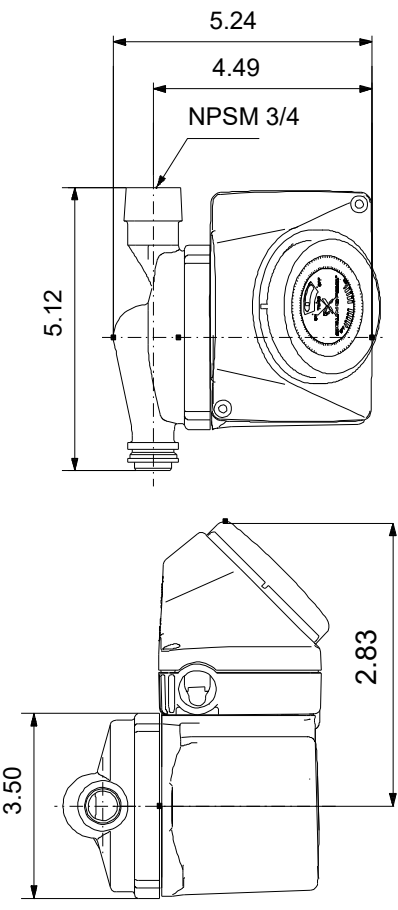
Comfort System for hot-water recirculation delivers hot water instantly to all faucets in private homes. It uses a bypass valve and pump with a timer to control water flow and deliver instant hot water.



Note! Product picture may differ from actual product

Conditions of Service		Pump Data		Motor Data	
Liquid:	Water	Liquid temperature range:	35.6 .. 150.8 °F	Max. power input:	25 W
Temperature:	140 °F	Maximum ambient temperature:	104 °F	Mains frequency:	60 Hz
Specific Gravity:	0.985	Pipe connection:	3/4" NPSM	Thermal protection:	internal
		Product number:	595916		





Materials:
Pump housing: Stainless steel
Pump housing: ASTM A351-CF8
Impeller: Composite

Qty. Description

1 : UP 15-10 SU7P/TLC, 1 Comfort valve



Note! Product picture may differ from actual product

Product No.: [595916](#)

595916
5700394894807
5700394894807

Technical:
Rated flow: 3.17 US GPM
Rated head: 2.661 ft
Approvals: CUL, NSF, UPC

Materials:
Pump housing: Stainless steel
ASTM A351-CF8
Impeller: Composite
PES+30% GF

Installation:
Maximum ambient temperature: 104 °F
Amb. max at 80 dgr C liquid: 176 °F
Maximum operating pressure: 145.04 psi
Pipe of connection: NPSM
Pipe connection: 3/4" NPSM
Pressure rating for connection: PN 10
Port-to-port length: 5 1/8 in

Liquid:
Pumped liquid: Water
Liquid temperature range: 35.6 .. 150.8 °F
Selected liquid temperature: 140 °F
Density: 61.35 lb/ft³

Electrical data:
Max. power input: 25 W
Mains frequency: 60 Hz
Rated voltage: 1 x 115 V
Current in speed 3: 0.23 A
Capacitor size - run: 2 µF/400 V
Number of poles: 2
Insulation class (IEC 85): F
Built-in motor protection: CONTACT
Cable type: Connecting cord with plug
Type of cable plug: NEMA 5-15P

Others:
Terminal box position: 9H
Net weight: 5.07 lb
Gross weight: 6.06 lb
Country of origin: US
Custom tariff no.: 8413.70.2005