

Job Name/Location:

Tag No.:

Date:

For:	File	Resubmit
	Approval	Other

PO No.:

Architect: GC:

Engr: Mech:

Rep: (Company) (Project Manager)



KSSAE091A

R32 Single Zone Standard Efficiency Wall Mounted

Outdoor Unit (ODU) - KUSAE091A, Indoor Unit (IDU) - KNSAE091A



Performance:

Cooling:

Cooling Capacity (Min~Rated~Max) (Btu/h)	3,070 ~ 9,000 ~ 11,980
SEER2	18
EER2	12

SEER - Seasonal Energy Efficiency Ratio EER - Energy Efficiency Ratio

Heating:

Heating Capacity (Min~Rated~Max) (Btu/h)	3,070 ~ 10,900 ~ 12,930
HSPF2	8.7
Max. Heating @ Indoor 70°F DB	
Outdoor 19°F DB / 17°F WB	9,810
Outdoor 6°F DB / 5°F WB	7,700

HSPF - Heating Seasonal Performance Factor

Cooling Nominal Test Conditions:
Indoor: 80°F DB / 67°F WB
Outdoor: 95°F DB / 75°F WB

Heating Nominal Test Conditions:
Indoor: 70°F DB / 60°F WB
Outdoor: 47°F DB / 43°F WB

Electrical:

Power Supply (V/Hz/Ø)	208-230/60/1
MOP (A)	15
MCA (A)	10
Cooling Rated Amps (A)	5.2
Heating Rated Amps (A)	7.3
Compressor (A)	6.7
Fan Motor (IDU + ODU) (A)	0.4 + 0.6
Cooling Power Input (kW)	
(Min~Rated~Max @95°F) (kW)	0.2 ~ 0.75 ~ 1.4
Heating Power Input (kW)	
(Min~Rated~Max @47°F) (kW)	0.195 ~ 0.885 ~ 1.5

MOP - Maximum Overcurrent Protection

MCA - Minimum Circuit Ampacity

Piping:

Liquid Line (in., O.D.)	1/4
Vapor Line (in., O.D.)	3/8
Additional Refrigerant (oz./ft.)	0.16
Min. / Max. Pipe Length (ft.) ²	9.8 / 49.2
Piping Length (no add'l refriger., ft.)	24.6
Max. Elevation (ft.)	23

Features:

- 24-Hour on/off timer
- Two-way (up / down) auto swing
- Auto changeover
- Auto restart
- Jet cool/Jet heat
- Smart Care
- Smart Diagnosis
- Built-in Wi-Fi via ThinQ™ app
- Inverter (variable speed compressor)
- Self-cleaning indoor coil
- Sleep mode
- Ultra-quiet operation

Included Accessories:

- Wireless Remote Controller — AKB76044207

Controller Options:

- MultiSITE™ CRC* Controllers
- Simple Remote Controllers
- Standard III Remote Controllers
- Deluxe Remote Controller
- Dry Contacts

Proper sizing and installation of equipment is critical to achieve optimal performance. Split system air conditioners and heat pumps (excluding ductless systems) must be matched with appropriate coil components to meet ENERGY STAR® criteria. Ask your contractor for details or visit www.energystar.gov. (ENERGY STAR and the ENERGY STAR mark are registered trademarks owned by the U.S. Environmental Protection Agency.)

Operating Range:

Outdoor Unit:

Cooling (°F DB)	14 ~ 118
Heating (°F WB)	5 ~ 65

Indoor Unit:

Cooling (°F WB)	53 ~ 75
Heating (°F DB)	60 ~ 86

System Data:

Refrigerant Type	R32
Refrigerant Control	EEV
Refrigerant Charge (lbs.)	1.54
ODU Sound Pressure (Cooling / Heating) (±1 dB[A]) ³	50 / 50
IDU Sound Pressure	
Cooling (H/M/L/Sleep) (±1 dB[A]) ³	42 / 36 / 28 / 21
Heating (H/M/L) (±1 dB[A]) ³	42 / 36 / 28
ODU Net / Shipping Weight (lbs.)	55.3 / 60
IDU Net / Shipping Weight (lbs.)	19.2 / 22
Heat Exchanger Coating	GoldFin™

Fan:

ODU Type	Propeller
IDU Type	Cross Flow
Fan Speeds (Fan/Cool/Heat)	6 / 6 / 6
Quantity (ODU + IDU)	1 + 1
Motor/Drive	Brushless Digitally Controlled/Direct
ODU Max. Air Flow Rate (CFM)	953
IDU Air Flow	
Cooling, Max/H/M/L (CFM)	459 / 353 / 264 / 148
Heating, Max/H/M/L (CFM)	459 / 353 / 254 / 198
Dehumidification (pts./hr.)	2.32

Notes:

1. Acceptable operating voltage: 187V-253V.
2. Piping lengths are equivalent.
3. Sound Pressure levels are tested in an anechoic chamber under ISO Standard 3745.
4. All communication / connection (power) cable from the outdoor unit to the indoor unit is field supplied and must be a minimum of four-conductor, 14 AWG, stranded, shielded or unshielded (if shielded, it must be grounded to the chassis of the outdoor unit only), and must comply with applicable local and national codes.
5. See Engineering Manual for sensible and latent capacities.
6. Power wiring cable size must comply with the applicable local and national code.
7. The indoor unit comes with a dry helium charge.
8. This data is rated 0 ft. above sea level, with 24.6 ft. of refrigerant line and a 0 ft. level difference between outdoor and indoor units.
9. Must follow installation instructions in the applicable LG installation manual.



For a complete list of available accessories, contact your LG representative.

For continual product development, LG reserves the right to change specifications without notice.

© LG Electronics U.S.A., Inc., Englewood Cliffs, NJ. All rights reserved. "LG Life's Good" is a registered trademark of LG Corp. /www.lghvac.com

SB_SZ_StdEfficiency_WallMounted_R32_KSSAE091A_2025_01_06_103917

Job Name/Location: _____

KSSAE091A

R32 Single Zone Standard Efficiency Wall Mounted

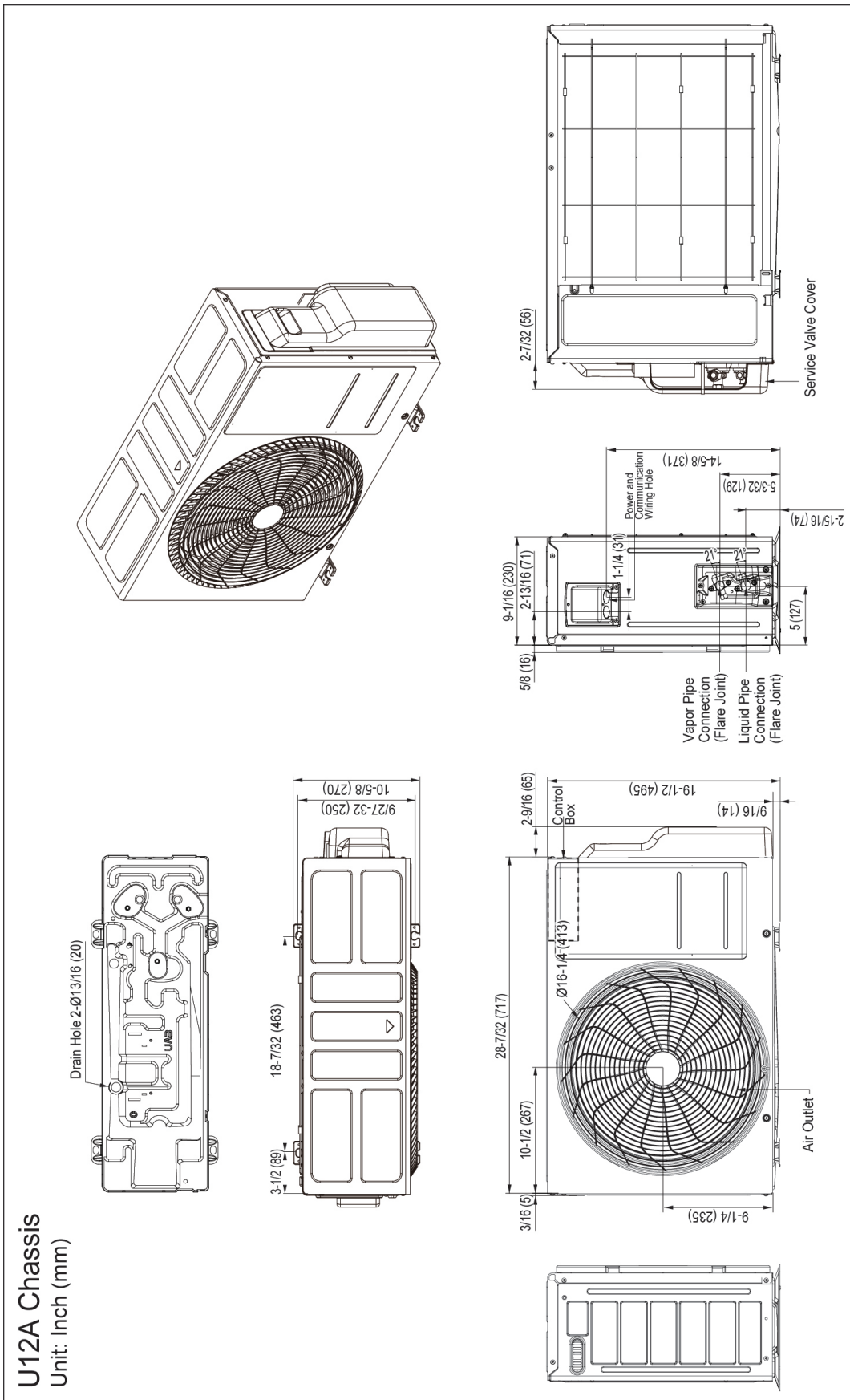
Outdoor Unit (ODU) - KUSAE091A, Indoor Unit (IDU) - KNSAE091A



Tag No.: _____

Date: _____

PO No.: _____



KSSAE091A

R32 Single Zone Standard Efficiency Wall Mounted

Outdoor Unit (ODU) - KUSAE091A, Indoor Unit (IDU) - KNSAE091A



Tag No.: _____

Date: _____

PO No.: _____

