

# Rheia Product Specifications Sheet

## Floor Boot 4x10 Assembly

Assembly Part # 10-01-280

For new construction floor installations only.

Attaches directly to the floor surface. Includes an adjustable damper blade. Must be used with Rheia-approved Floor 4x10 Diffusers that are not equipped without a balancing damper.

### SPECIFICATIONS

#### Intended Use

For installation into open web truss or I-joist floor systems. Floor boots complement the Rheia design providing a solution in applications where the Rheia supply duct cannot be run to a high-sidewall or pass-through boot.

#### Material

Floor Boot: Flame-retardant Polycarbonate /ABS blend.  
Damper Blade: Flame-retardant Polycarbonate /ABS blend.  
100% recyclable.

#### Installation

Follow guidelines for floor deck maximum and minimum cut out sizes.

Fasten the boot to the floor decking with a minimum of four pan head wood screws with a minimum length of 3/4".

#### Listings

Manufactured with UL94 V-0 rated engineering thermoplastic.

#### Warranty

2-year limited warranty.

For additional warranty information please contact Rheia.

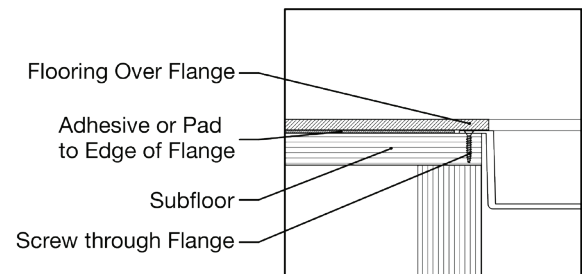
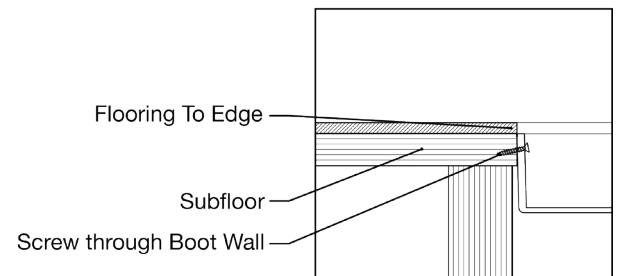
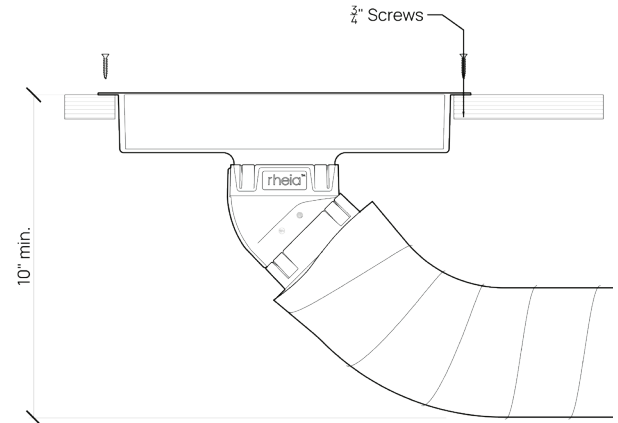
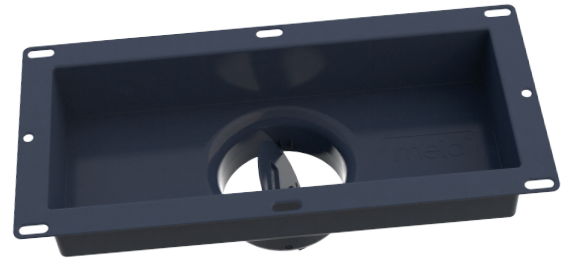
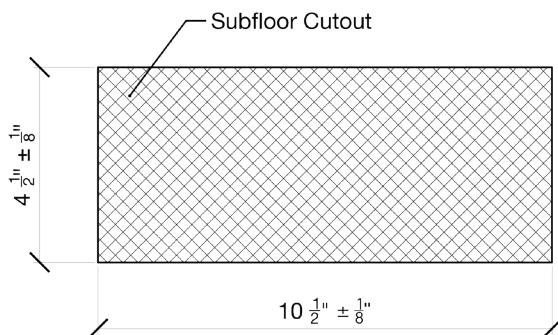
### DIMENSIONS

#### Cut Out Guidelines

Floor cut out maximum: 4 5/8" x 10 5/8" +/- 1/8"

Floor cut out minimum: 4 3/8" x 10 3/8" +/- 1/8"

Minimum depth of deck surface to base of I-joist, truss, or dimensional joist: 10".



Only use the following approved floor registers or grilles with the Floor Boot 4x10 Assembly #10-01-280.

Failure to do so will affect the system's airflow performance.

Part #00-04-300. Color: White RAL9016

Part #00-04-300. Color: Beige Pantone 7531C

Part #00-04-300. Color: Grey: Pantone Cool Gray 6C



Rheia, LLC. 4636 S 35th Street, Suite 2. Phoenix. Az. 84040

© RHEIA LLC 2022. This document contains privileged, confidential and proprietary information and is otherwise protected from disclosure. The receiving party shall not use or distribute this document to any party outside of its organization without expressed written consent of RHEIA.